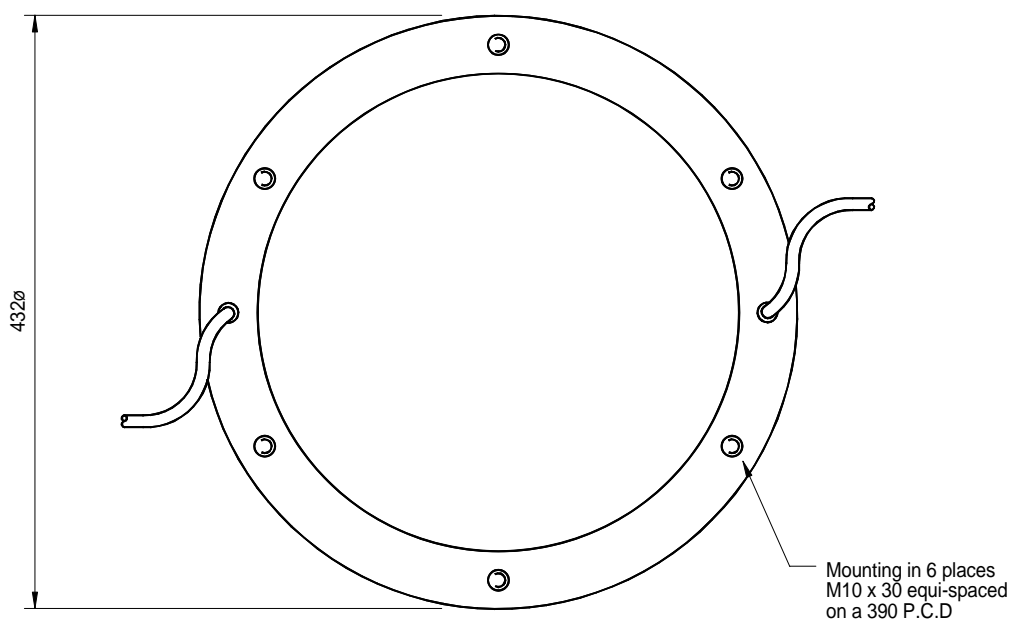


- **1.8 KHZ FREE FLOODED RING**
- **BROADBAND**
- **HIGH POWER**
- **OMNI-DIRECTIONAL BEAM PATTERN**
- **UNLIMITED DEPTH**
- **LONG RANGE TRANSMISSION**



The T16I is one of a new range of high power, low frequency transducers recently developed by Neptune Sonar. Based upon the standard Free Flooded Ring (FFR) concept, the transducer utilises the latest technology to achieve a highly efficient projector capable of operating down to full ocean depth.

FFR transducers can be configured to produce different beam patterns and output powers.



All dimensions in mm

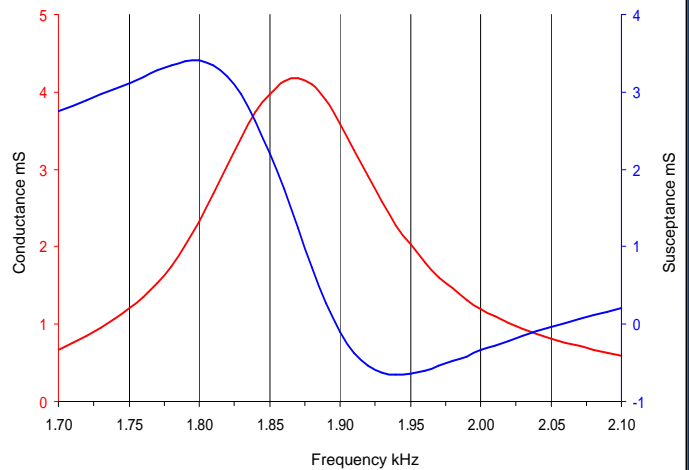
MODEL TI6I

Low Frequency Projectors

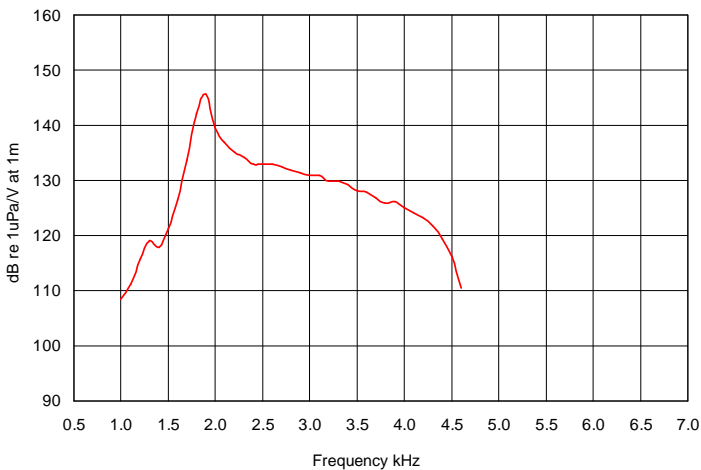
Technical Specification

Resonant Frequency	1.8 kHz
Operating Band	1 kHz to 4 kHz
Transmit Sensitivity	See Graph
Horizontal Beam Pattern	Omni ± 2 dB up to 4 kHz
Vertical Beam Pattern	Toroidal (See Graphs)
Input Power Max	2000 Watts @ 10% Duty Cycle
Operating Depth	Unlimited
Cable Length	3 Metres (Additional lengths supplied to order)
Cable Type	Polyurathane $\varnothing 6$ mm Single Conductors
Storage Temperature	-40 to +80 °C
Operating Temperature	-5 to +70 °C

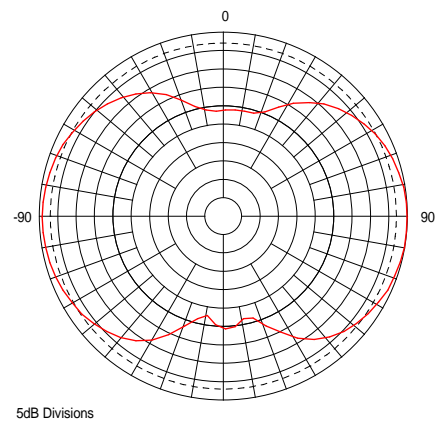
Admittance Plot



Transmit Graph



Beam Pattern Vertical at 2 kHz



Data illustrated is taken from actual in-water measurements