

**DEEPSEA**  
Power & Light<sup>®</sup>



# Multiray<sup>™</sup> LED SeaLite<sup>®</sup> 2025



Patents Pending

## FEATURES

**Switchable Beam Configurations**

**Switchable Color Configurations**

**Customer Serviceable**

**SeaSense<sup>™</sup> Protocol**

T: 858-576-1261  
F: 858-576-0219

4033 Ruffin Road  
San Diego, CA  
92123-1817 USA

[www.deepsea.com](http://www.deepsea.com)  
[sales@deepsea.com](mailto:sales@deepsea.com)



# LSL-2025

Configuration	LEDs	Arrays		Typical Lumen Output	Lux @ 1 m	CRI	Port
DW00-D02	8	Array 1	Day Light White 75° Flood	4,800	3,200 lx	70	Acrylic
		Array 2	Day Light White 115° Wide <sup>1</sup>	4,700	1,500 lx	70	
		Combined	Coming Soon	9,500	4,600 lx	70	
WW00-D02	8	Array 1	Warm White 75° Flood	3,750	2,500 lx	80	Acrylic
		Array 2	Warm White 115° Wide <sup>1</sup>	3,700	1,100 lx	80	
		Combined	Coming Soon	7,400	3,600 lx	80	
DW00-D01	32	Array 1	Day Light White 40° Spot	8,000	13,000 lx	70	Standard: Acrylic Optional: Sapphire
		Array 2	Day Light White 75° Flood	9,900	5,500 lx	70	
		Combined	50° Medium	10,000	Coming Soon	70	
WW00-D01	32	Array 1	Warm White 40° Spot	6,300	10,000 lx	80	Standard: Acrylic Optional: Sapphire
		Array 2	Warm White 75° Flood	7,800	4,300 lx	80	
		Combined	50° Medium	7,800	Coming Soon	80	
DC01-D02	8	Array 1	Day Light White 75° Flood	4,800	3,200 lx	70	Acrylic
		Array 2	Warm White 115° Wide <sup>1</sup>	3,700	1,100 lx	80	
		Combined	Coming Soon	Coming Soon	Coming Soon	Coming Soon	
DC02-D02	8	Array 1	Warm White 75° Flood	3,750	2,500 lx	80	Acrylic
		Array 2	Day Light White 115° Wide <sup>1</sup>	4,700	1,500 lx	70	
		Combined	Coming Soon	Coming Soon	Coming Soon	Coming Soon	
DC01-D01	32	Array 1	Day Light White 40° Spot	8,000	13,000 lx	70	Standard: Acrylic Optional: Sapphire
		Array 2	Warm White 75° Flood	7,800	4,300 lx	80	
		Combined	Coming Soon	Coming Soon	Coming Soon	Coming Soon	
DC02-D01	32	Array 1	Warm White 40° Spot	6,300	10,000 lx	80	Standard: Acrylic Optional: Sapphire
		Array 2	Day Light White 75° Flood	9,900	5,500 lx	70	
		Combined	Coming Soon	Coming Soon	Coming Soon	Coming Soon	
DC03-FLD	32	Array 1	Day Light White 75° Flood	9,900	5,500 lx	70	Standard: Acrylic Optional: Sapphire
		Array 2	Green <sup>2</sup> 75° Flood	Coming Soon	Coming Soon	Coming Soon	
DC04-D01	32	Array 1	Day Light White 75° Flood	9,900	5,500 lx	70	Sapphire
		Array 2	405nm Ultraviolet <sup>3</sup> 40° Spot	Coming Soon	Coming Soon	Coming Soon	

<sup>1</sup> Acrylic port required for 115° Wide

<sup>2</sup> Contact sales for red, blue, and other color options.

<sup>3</sup> Sapphire port required for UV.

Common configurations shown. Please contact sales for other configurations.

# LSL-2025

LSL-2025	
<b>Optical Specifications</b>	
<b>Color and LED Sources</b>	Day Light White 5000 K ~ 6500 K Warm White 2600 K ~ 3700 K Blue, Green Red UV365, UV405, IR850
<b>Beam Angles</b>	Wide <sup>2</sup> : 115° Flood: 75° Spot: 40°, 28°
<b>Environmental Specifications</b>	
<b>Depth Rating</b>	4,000 m Acrylic Port 6,000 m or 11,000 m Sapphire Port
<b>Thermal Protection</b>	Intelligent Thermal Rollback
<b>Operational Temperature</b>	-10°C to 40°C [14°F to 104°F]
<b>Storage Temperature</b>	-40°C to 100°C [-40°F to 212°F]
<b>Electrical Specifications</b>	
<b>Voltage</b>	10~48 VDC <sup>4</sup>
<b>Power</b>	106W @ 24 VDC
<b>Dimming</b>	RS232 <sup>5</sup> , RS485 <sup>5</sup> , 0~5V, 0~10V, 4~20mA
<b>Mechanical Specifications</b>	
<b>Housing</b>	Hard Anodized 6013 Aluminum Titanium
<b>Port</b>	Standard: Acrylic Optional: Sapphire
<b>Outer Diameter</b>	63.0 mm [2.48 in]
<b>Overall Length (Without Connector)</b>	Acrylic Flood/Wide: 95.9 mm [3.77 in] Sapphire Flood: 93.3 mm [3.67 in] Acrylic/Sapphire Spot: 99.6 mm [3.92 in]
<b>Weight in Air<sup>6</sup></b>	Sapphire Flood: 450 g Sapphire Spot: 470 g
<b>Weight in Water<sup>6</sup></b>	Sapphire Flood: 200 g Sapphire Spot: 220 g
<b>Connector<sup>7</sup></b>	
<b>Default</b>	SEACON MCBHMP Please contact sales for more options.

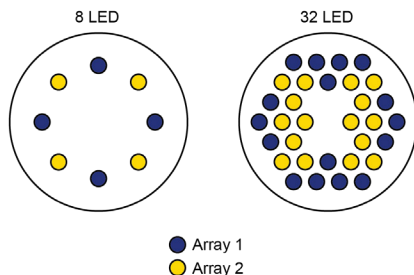
<sup>4</sup> 100% output available above 20 VDC. 50% output from 10-20 VDC due to input current limits.

<sup>5</sup> For RS232 and RS485, see Manual.

<sup>6</sup> Nominal values are measured with MCBHMP connector and aluminum housing.

<sup>7</sup> Ensure that ampacity ratings for interconnect system are suitable for your operating conditions. See Manual for more information.

## Multiray LSL-2025 LED Array Layout



The Multiray LED Sealite is available with 8 or 32 LEDs in the light engine. The light engine is divided into two arrays of LEDs each of which occupies half of the available positions in a balanced layout.

## Operating Modes

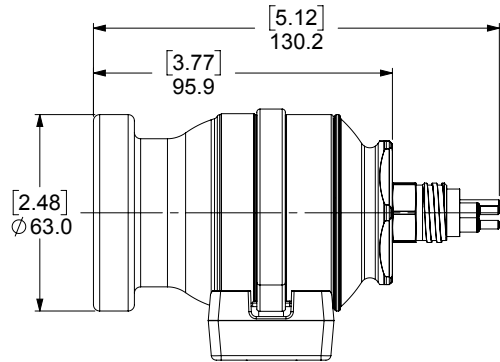
Operating Mode	Channel 1	Channel 2
Array 1	ON	OFF
Array 2	OFF	ON
Combined	ON	ON

The arrays operate separately or combined through a driver channel. The combined operating mode is available in configurations where array forward voltages match.

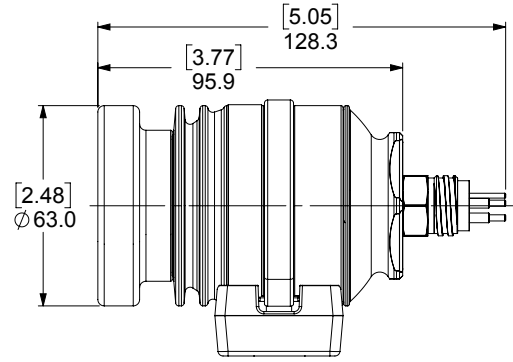
# LSL-2025

## Dimensions

### Flood Beam Acrylic Port

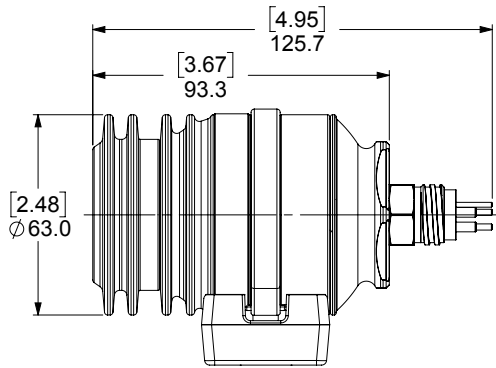


FLOOD/WIDE ACRYLIC ALUMINUM  
mm [inch]



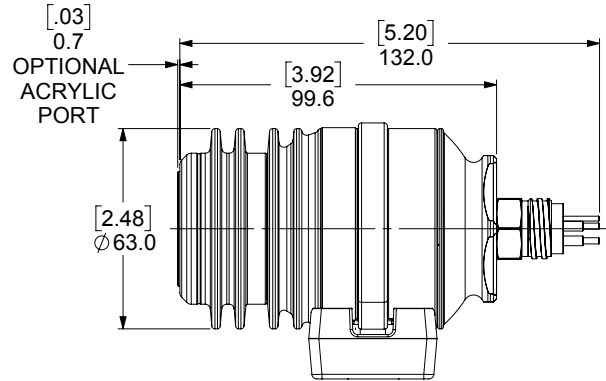
FLOOD/WIDE ACRYLIC TITANIUM  
mm [inch]

### Flood Beam Sapphire Port



FLOOD SAPPHIRE  
mm [inch]

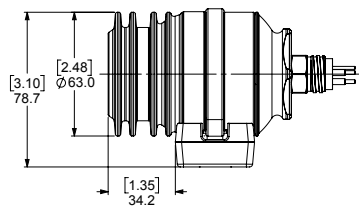
### Spot Beam



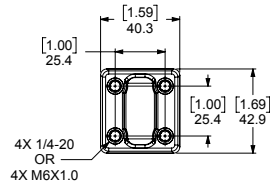
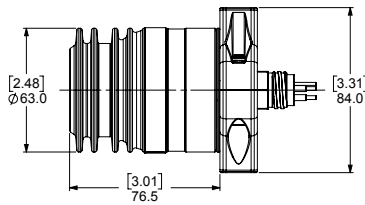
SPOT ACRYLIC/SAPPHIRE  
mm [inch]

### Bracket

#### SADDLE BRACKET

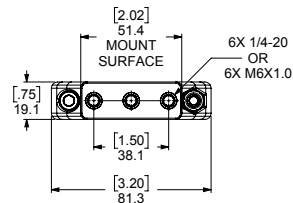


#### COLLAR BRACKET



4X 1/4-20  
OR  
4X M6X1.0

mm [inch]



2.02  
51.4  
MOUNT  
SURFACE

6X 1/4-20  
OR  
6X M6X1.0