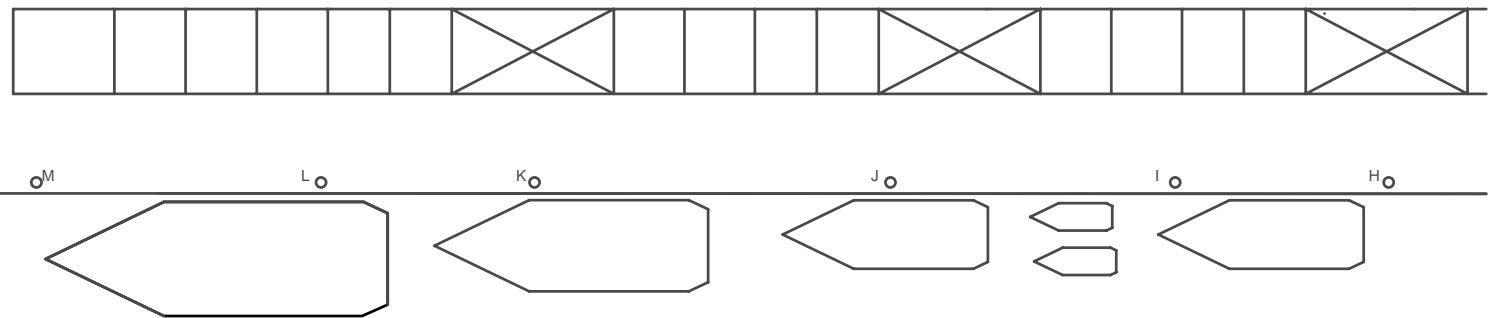




- \* A20 Marine Technology Reporter
- A100 SEISMIC ASIA PACIFIC PTY. LTD
- A115 Oceanering International, Inc.
- A120 Environmental Technologies Limited
- A125 International Ocean Systems and Underwater Contractor Intern
- A245 Blue Marble Geographics
- A265 International Transducer Corp
- A350 ASI Environmental Sciences
- B325 Sound Metrics Corp.
- B115 Gill Instruments Ltd
- B550 C.R. Encapsulation Ltd
- C725 Wireless Fibre Systems Ltd
- C745 ETL (Explorence Technology Ltd)
- D710 MARE Trans. Ltd.
- D715 Sea Technology Magazine
- G605 Datawell
- K15 J & S Ltd
- K600B Tritex NDT Ltd
- K600CTrelleberg Protective Products
- K600Falmouth Divers Limited
- K600Northern Diver
- K600Ostris Marine Services Ltd
- K600GASMS LTD
- L155 ASD Sensortechnik GmbH
- L450 Umbilicals International
- M205 British Geographical Survey
- M255 Advanced Orientation Systems Inc
- M500 Mettler Toledo UK
- M550 ASK SUBSEA
- M620 Hi-Target Survey Instrument Co.Ltd
- M650 C A Cluse(UK) Limited
- N400 Submarine Manufacturing & Products Ltd
- N450 The Acclaimed Software Co Ltd
- N505 Reel Group
- N525 Valsala
- N605 Lockheed Martin Sippican
- N655 Swale Oceanographic
- P100 Wish Software Limited
- P125 Wuxi Haiying-Cal Tec Marine Technology Co Ltd
- P400 Indepth International
- P455 Seazone Solutions Limited
- R100 Ocean Networks Canada
- R120 Ambassador Tapes Limited
- R140 Oceanscan
- R160 ALS MARINE LTD
- R180 GO Science Ltd
- R200 Hangzhou Applied Acoustics Research Institute(HAARI)
- R205 Turo Technology Ltd
- R220 Sensor Technology Ltd
- R240 Cygnus Instruments Ltd
- R260 Arc Controls Inc
- R300 P.P. Shirshov Institute of Oceanology
- R320 ACSM Agencia Maritma
- R360 Fastwave Communications
- R400 Neptune Geomatics
- R460 Topcon Europe Positioning B.V.
- R405 Indepth Subsea
- F90 Measurement Technology NW
- M235 Zupt LLC



# Oceanology International 9th - 11th March 2010



Sales Contact:	
Organising Contact:	
Show Name:	Oi 10
Issue:	42
Updated By:	Piers Innes
Scale:	
Issue Date:	11/03/10
Updated:	02-02-10

Reed Exhibitions, 35 The Quadrant, Richmond, Surrey TW9 1DF, UK  
Tel: +44 (0)20 8910 7910 Fax: +44 (0)20 8940 2171