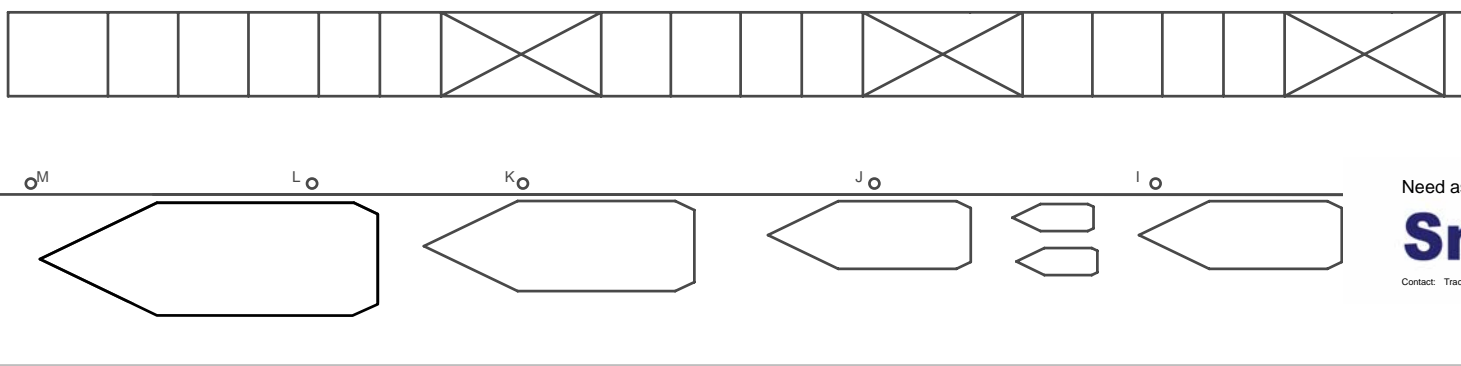
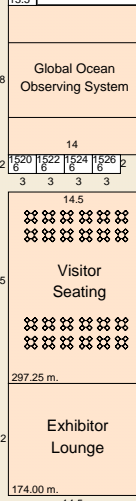


11-13 March 2008  
Excel London, UK



- 101 Marine Technology Reporter
- 102 Seamap UK Limited
- 103 Rowles Systems Ltd.
- 104 Nexus Media Ltd
- 111 PMI Industries Inc
- 114 The United Kingdom Hydrographic Office
- 119 International Transducer Corp
- 121 CWA Products Ltd
- 123 BICA
- 128 Echomax
- 129 TSKA, Inc
- 125 Sea Technology Magazine
- 130 International Federation of Hydrographic
- 132 Buccanier Ltd
- 134 MST Marine Systems & Technology
- 137 Wireless Fibre Systems Ltd
- 140 MST Marine Systems & Technology
- 141 Gill Instruments Ltd
- 142 Ternatec
- 143 CCMC
- 144 ECS Technology Ltd
- 145 National Hyperbaric Centre
- 146 SonarTech Co. Ltd
- 147 C-tecnics Teacnas Video Systems Ltd
- 148 Hydrospacia
- 149 Professional Diving Academy
- 150 Lidar Marine
- 151 PPL Marine Products
- 152 The Acclimated Software Co Ltd
- 154 Marine & Robotic Engineering
- 155 SwOwest, Inc
- 156 PFG Industries
- 157 WeeZee Diving Services
- 161 ADUS
- 162 Rapp Hydras AB
- 163 Wet Offshore Body Shop Ltd
- 164 Pelorus Surveys
- 201 International Ocean Systems and Underwat
- 202 Focal Technologies Corp
- 211 Wayvee Insurance Brokers (Commercial) Ltd
- 212 Advanced Orientation Systems Inc
- 213 Intelligent Exhibitions
- 215 SEA (Group) Ltd
- 223 NATO Undersea Research Centre
- 234 BIRNS Aquamate LLC
- 235 OceanEar
- 240 Umblicals International
- 243 Nautech Pte
- 303 Visualsoft Ltd
- 305 L3 Communications ELAC Nautik GmbH
- 310 Resinex Trading S.R.L.
- 312 Sonetics Ltd
- 315 Barum & Dewar Ltd
- 340 DIVEX
- 341 Pacific Crest
- 342 The Oceanacres Group
- 400 ITP Ltd
- 405 CODAR Ocean Sensors
- 431 All Oceans Eng Ltd
- 456 The Shephard Group
- 601 Marine Electronics Ltd
- 604 Strategic Offshore Research
- 604 Applied Microsystems Ltd
- 623 Hydro Bond Engineering Ltd
- 624 Calyx Ocean Systems Ltd
- 624 SEACON (Europe) Ltd
- 702 R2 Sonic LLC
- 706 Dynacon Inc
- 710 Innovatum International Ltd
- 731 G.O.S.S Consultants
- 733 C & S Technologies Inc
- 750 Oceanweather Inc
- 752 Peli Products (UK) Ltd
- 760 The Business Group
- 802 Sonar Equipment Services Ltd
- 812 BAE Systems Electronics Limited
- 820 Star-Odd
- 821 Patrac
- 830 Soravisson Ltd
- 831 Seaview Sensing Ltd
- 835 OceanLogics
- 850 OCN BV
- 850 Nautikants B.V
- 850 SeaDarQ B.V.
- 850 TNO
- 850 MARIS
- 850 Skilltrade B.V.
- 850 Gematrix B.V.
- 850 Rijkswaterstaat
- 850 JANELCO B.V.
- 850 Lightweight Structures B.V.
- 850 Delta Marine Consultants B.V.
- 860 The Engineering Business Limited
- 902 Lockheed Martin Sipican
- 904 JH-Jans Engineering GmbH
- 904 ARGUS Gesellschaft für Umweltmesstechnik mbH
- 904 Devologic GmbH
- 904 FIELAX Gesellschaft für wissenschaftliche
- 904 HATLAPA
- 904 Leoni Special Cables
- 904 Nautilus Marine Service GmbH
- 904 Ocean WaveS GmbH
- 904 Optimax GmbH
- 904 Schiefelung und Apparatebau GmbH
- 904 Trinos Optical Sensors GmbH
- 904 Wierum Software & Systems AG
- 904 WTS-H - Business Development and Technology
- 904 Transfer Corp. of Schleswig-Holstein
- 941 Electrochem Commercial Power
- 1003 James Fisher Defence Ltd
- 1004 British Geological Survey
- 1024 Evologics GmbH
- 1030 Meerestechnik Bremen GmbH
- 1110 SouthCoast Development Partnership
- 1116 OceanTools Ltd
- 1135 Explorer Cases by GT Line
- 1160 Sysma S.p.A.
- 1200 Nitchiyu Giken Kogyo Co Ltd
- 1220 G.A.S s.r.l. - Geolocal Assistance and Services
- 1221 Flotation Technologies
- 1224 De Beers Marine
- 1230 Intercean Systems Inc
- 1234 ASAMS LTD
- 1240 Quest Geo Solutions Ltd
- 1242 University of Limerick
- 1250 Oceanic Imaging Consultants
- 1255 Measurement Devices Ltd
- 1260 Swale Oceanographic
- 1301 Mariner Underwater Electronics
- 1301 Marine Underwater Electronics
- 1304 Wet Labs Inc
- 1308 ETL (Exploracion Technology Ltd)
- 1314 Seelabs
- 1314 Magellan Navigation S.A.S
- 1322 Brubout International Pty. Ltd
- 1330 EGS International Ltd
- 1332 Tretry House
- 1336 Wuai Haiyang-Cai Tec Marine Technology Co Ltd
- 1338 Exploration Electronics Ltd
- 1340 SAAB
- 1341 Ocean Modules Sweden AB
- 1400 Ocean News & Technology & Offshore Sourc
- 1403 CAMS - Centre for Applied Marine Sciences
- 1410 Association of Marine Scientific Institutes (AMSI)
- 1411 Society for Underwater Technology
- 1412 ARS & Electronic Sales Ltd
- 1413 MAREST
- 1414 Russian Practical Geoservice
- 1416 Environment Agency Geomatics
- 1419 Seatechm
- 1421 G Tec bv
- 1431 C-Products Ltd
- 1433 Myriac
- 1440 Global Marine Systems Limited
- 1448 Handig Europe
- 1451 Oceanstream Subsea Services Ltd
- 1452 Chesapeake Technology Inc
- 1458 C.P. Encapsulation Ltd
- 1521 RICS
- 1543 J & S Marine Ltd
- 1545 Pressens AS
- 1551 Tokio Marine Europe Insurance Limited



Need assistance with your stall?

## Smarts

Contact: Tracy.Metcalf@reedexpo.co.uk +44 (0)20 752

Contact Sales:-	x
	#
Contact Operations:-	x
	#
Show name:	OiO8
Issue:-	35
Issue Date:-	10/10/06
Updated By:	Piers Innes
Updated:-	15/01/08

Reed Exhibitions

© Reed Exhibitions

Oriel House, 26 The Quadrant, Richmond, Surrey TW9 1DL, UK  
Tel: 020 8910 7910 Fax: 020 8940 2171