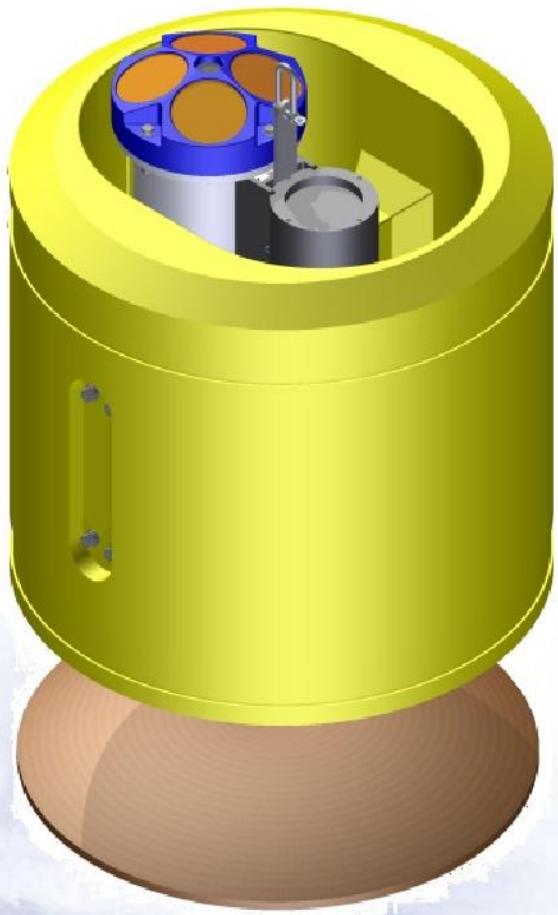


# C-ROM

## Compact Recoverable Ocean Mooring



## Reliable Recovery of Subsea Instruments

The ROMOR C-ROM is an oceanographic subsurface mooring solution that offers a reliable and compact design to mooring and recovering oceanographic instrumentation. The C-ROM and C-ROM Plus units consist of a subsurface flotation collar mounting assembly for instrumentation that provides approximately 80 & 105 lbs (36 & 48 kg) positive buoyancy starting at depths of 750m, progressing to full ocean depth. The flotation collar encloses a customer specified acoustic release as well as the client specified instrument(s) that can be accommodated within the dimensions of the design. As an option, the C-ROM SeaRecovery Anchor Retrieval RotoDrum can be included with the C-ROM to enable recovery of the mooring anchor once the mooring has been released and surfaced. Other options such as real time integrated acoustic modem systems, RF and flasher beacons, and deeper models are available.

# ROMOR

OCEAN SOLUTIONS

[www.romoroceansolutions.com](http://www.romoroceansolutions.com)

### C-ROM & C-ROM Plus Specifications

C-ROM Assembly complete with SeaRecovery Anchor Retrieval RotoDrum.

Weight in air	98lbs (45 kg)	120 lbs (55 kg)
Buoyancy	80 lbs (36 kg)	105 lbs (48 kg)
Dimensions	25" di. X 23" hi (63.5cm x 58.5cm)	25" di. X 26" hi (63.5cm x 66cm)
Float Material	Syntactic Foam	Syntactic Foam
Shell	Polyethylene	Polyethylene
Depth Rating	750m (standard)	750m (standard)



- 1500,2500,3500 & 6000m models available (slight buoyancy loss, depth dependent)
- C-ROM SeaRecovery Drum with up to 500m of anchor recovery line.
- C-ROM Stable Anchor Platform for High Current Deployments.
- Integrated Real Time Systems with Acoustic Modem Telemetry & Gateway Buoys.
- Internal brackets for additional sensors.

