

The Seaye Cougar is a worldwide proven ROV well recognised for its capability to operate effectively as a compact Light Work-Class ROV in demanding subsea applications.

It's a reliable electric ROV for underwater survey, NDT inspections, oceanographic observation, and subsea light work intervention. The 2.000 m WD rated ROV works in TMS mode with 200 m tether, with capability for the fitting of additional ancillary equipment in the tooling skid underslung. The system includes a Surface Control Unit (SCU) for ROV control and surveillance equipment monitoring and it's Power Supply Unit (PSU), all integrated in a 20' Control Container

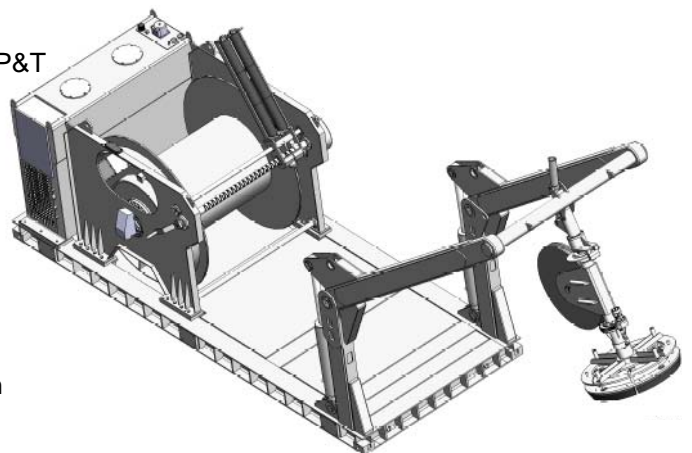
Main ROV specifications:

- Dimensions L x W x H (mm): 1300 x 900 x 745
- Weight in Air / Water (kg): 345 (500 with Tooling Skid) / Neutral
- Depth rating (m): 2.000 SWD
- Propulsion 6 x Thrusters: 4 x Horizontal, 2 x Vertical
- Thrust FWD / Lateral / Vertical (kgf): 172 / 120 / 106
- Speed/Operational current FWD (kNot): 3
- Payload (kg): 80
- Autopilot: Heading, Depth, and Altitude hold
- Power requirement : 35 kVA, 380/415/440/460 VAC, 50/60 Hz, 3 phase



Survey Equipment & Tooling:

- 1 x Kongsberg OE 14-366 Colour Zoom camera on a P&T
- 1 x Seaye Low Light Colour camera
- 1 x Seaye Low Light Mono camera
- 1 x Seaye Mini B&W TMS camera
- 4 x LED lights, 600 W lighting
- 1 x Tritech Super SeaKing Sonar system
- Fluxgate Compass, Depth sensor, & Altimeter
- 2 x Hydrolek 5F Manipulators with Grabber Jaw option
- CP Contact Probe & Cygnus UT Gauge
- Cleaning Brush & Grinding tool Assy., Hydraulic cutter, Water Jetting tool
- Auxiliary comms channels for survey skid and equipment as SSS, MBES, TSS pipe/cable tracker, profiler, etc...
- Spare Fiber Optics for extra HD camera option or any other high density data comms



LARS system:

The LARS comprises an hydraulic 6 ton SWL A-Frame, Umbilical Winch, and 55 kW deck HPU, all mounted over a single 20' skid frame. Winch drum capability up to 2.500 m of Ø30 mm armoured lifting umbilical cable

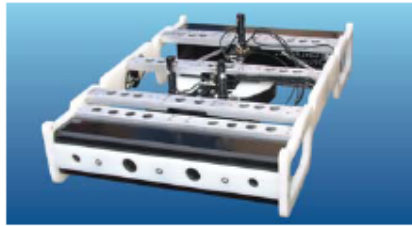
COUGAR 1432 ROV



OPTIONS, TOOLS AND ACCESSORIES



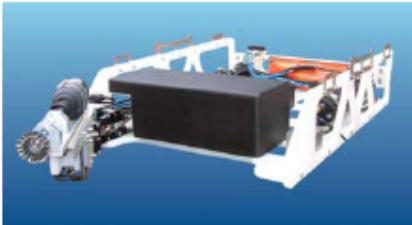
CABLE CUTTER SKID



AX RING REMOVAL SKID



MANIPULATOR SKID WITH GRABBER ARM



CLEANING BRUSH



ROTARY DISC CUTTER



WATER JET



EMERGENCY STROBE



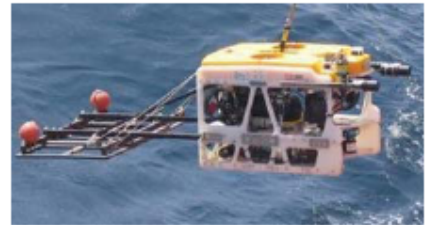
SONAR



CP PROBE



SNUBBER-ROTATOR



SURVEY SKID WITH TSS PIPE TRACKER



LED LAMPS



CYGNUS UT GAUGE



LOCK LATCH



ACSM AGENCIA MARITIMA SLU

C/ Pontevedra, 8

36201-VIGO

Spain

+34 986 441 640

www.acsmships.com



ACSM AGENCIA MARITIMA SLU
C/ Pontevedra, 8
36201-VIGO
Spain
+34 986 441 640
www.acsmships.com